

KNAUER OEM. The Original.

LIQUID CHROMATOGRAPHY SYSTEMS AND MODULES

HIGH PRESSURE DOSING PUMPS

LC DETECTORS

MANUAL INJECTION AND AUTOSAMPLERS

HPLC VALVES

SOFTWARE

**Your innovative solution.
Made in Germany since 1962.**

HOW TO GET YOUR INNOVATIVE SOLUTION

Different industries and users need tailor-made solutions:
We develop products together with you to perfectly meet your customer's requirements.

DEFINE

Determining technical and functional requirements
page 6, 16, 24, 18



CONFIGURE

Putting together the right modules
page 12, 20, 26



DESIGN

Customizing and optimizing the look of the product
page 30



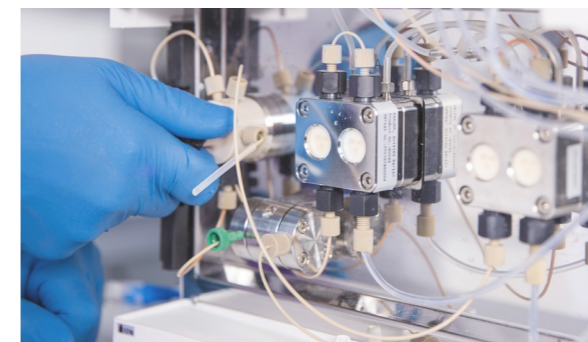
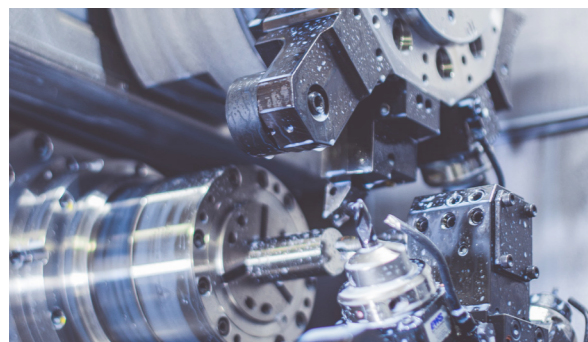
VERIFICATION

Testing and approval
page 32



MARKET LAUNCH

Serial production and training
page 33





DEFINE YOUR HIGH PRESSURE PUMP

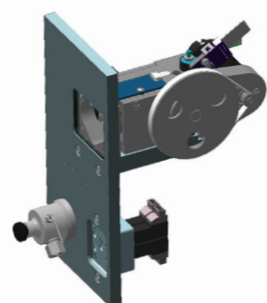
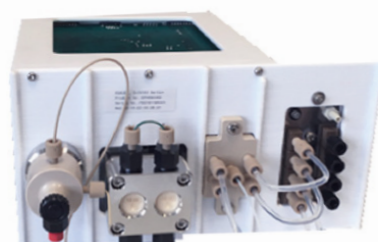
Dosing and feed pumps, analytical and preparative LC pumps known for their reliability and versatility



LAB-SCALE PUMPS FOR DOSING AND LC APPLICATIONS

KNAUER offers a wide range and fully-featured portfolio of metering pumps. (U)HPLC pumps are available for a wide range of analytical and preparative applications. For ion chromatography and other bioinert applications, we are able to offer

completely stainless steel free pumps, as well as FPLC pumps. Interchangeable pump heads ensure good adaptability and easy maintenance. Models equipped with electronic drive compensation have very low pulsation.



Pumps and pump kits in different application areas, from stand-alone to integrated modules in systems

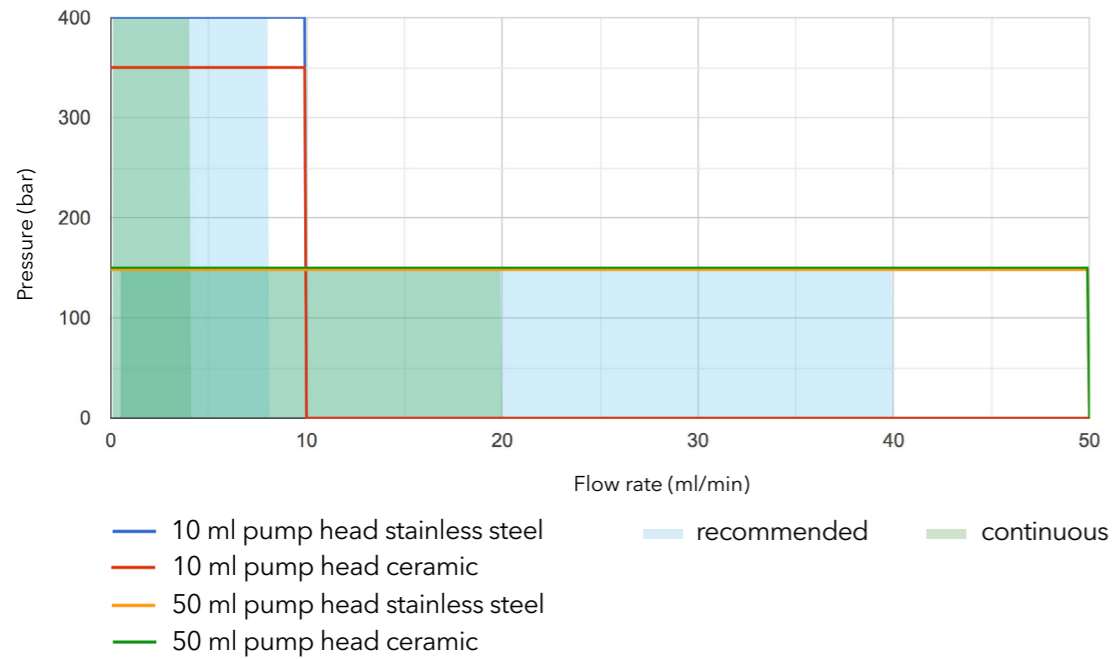
SPECIFICATIONS

All KNAUER pumps	
Pump head max. flow rate (ml/min)	5,10,50,100,250,500,1 000
Piston seal washing	Passive (compact pumps), active (all other pumps)
Wetted materials	Aluminum oxide/Zirconium oxide, PEEK/PCTFE, Graphite Fiber, Reinforced PTFE, FKM/FFKM, Ruby, Titanium, Stainless steel
Optional modules	Solvent selection valve: 3/2 solenoid valve, 24V; Base: PEEK; Seals: FFKM, 8.7 x 37 x 68.8 mm (WxDxL); Degasser: 2 & 4 channels, internal volume per chamber 285 µl; LPG valve: 2/2 valve, FFPM, 24
Static mixer volume (µl)	50, 100, 200, 250 (Microfluidic mixing technology)
Dynamic mixer (ml)	1 740, 5.9 (using magnetic stirrer)
Control	LAN, RS-232, USB, Analog, Stand-alone, Mobile control
Supported by	ClarityChrom®, PurityChrom®, OpenLab CDS EZChrom Edition, Chromeleon™
Knauer Service tool	Available for all products
Operation temperature	4 - 40°C, Air humidity below 90%, non-condensing
Required ventilation power*	0.5W, 40x40 mm (x1) for small (S) pumps / 1W, 60x60 mm (x2) for large (L) pumps
Supplements	User & Service manuals, Service notes, Service SOPs & videos, Device & Service, communication protocol
High pressure LC pumps	
Pump type	Analytical & Preparative
Delivery system	Dual-piston with main and auxiliary pistons (analytical and semi-preparative) Dual-piston with two main pistons (preparative)
Flow rate range (ml/min)	0.01 - 1000
Flow rate accuracy (%)	±1 (compact high pressure pump with pressure sensor & high pressure analytical version) ±5 (compact high pressure pump w/o pressure sensor) ±2 (high pressure preparative version)
Flow rate precision (%)	≤0.5 RSD (compact high pressure pump with and w/o pressure sensor) <0.1 RSD (high pressure analytical and preparative versions)
Pressure range (bar)	Up to 650
Temperature range (°C)	-10 - 120
Viscosity of liquids (mPa·s)	Up to 1000
High-pressure dosing pumps	
Pump type	Dosing
Delivery system	Dual-piston with main and auxiliary pistons (for flow rates up to 50 ml/min) Dual-piston with two main pistons (for flow rate range 50<X≤1000 ml/min)
Flow rate range (ml/min)	0.01 - 1000
Flow rate accuracy (%)	±1 (compact high-pressure pump with pressure sensor & high-pressure analytical version) ±5 (compact high-pressure pump w/o pressure sensor) ±2 (high-pressure preparative version)
Flow rate precision (%)	≤0.5 RSD (compact high-pressure pump with and w/o pressure sensor) <0.1 RSD (high-pressure analytical and preparative versions)
Pressure range (bar)	Up to 650
Temperature range (°C)	-10 - 120
Viscosity of liquids (mPa·s)	Up to 1000

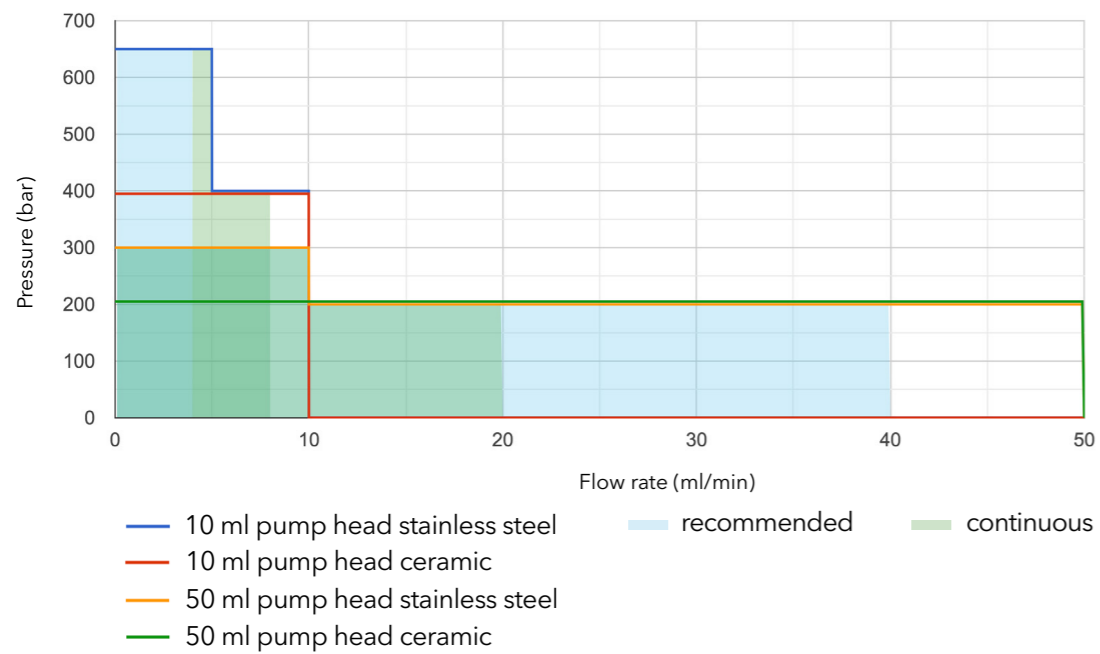
* Ventilator is described with frame size (mm) and required quantity for KNAUER original modules.

FLOW PRESSURE RANGE PUMPS

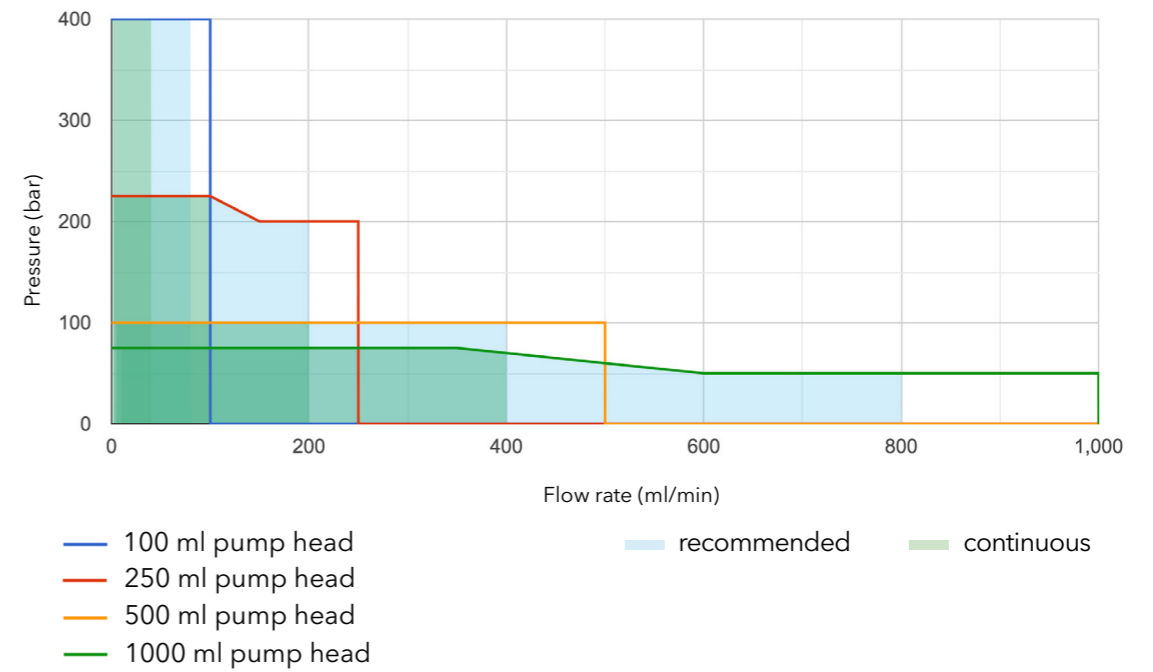
High pressure compact pumps for flow rates of up to 50 ml/min



High pressure analytical pumps for flow rates of up to 50 ml/min

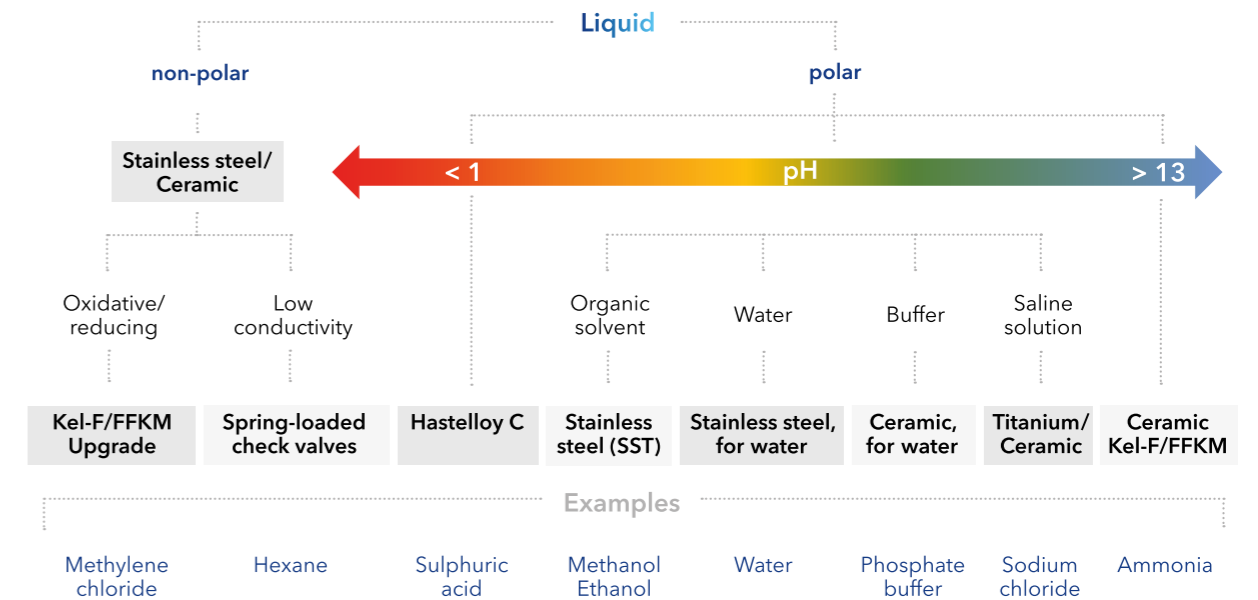


High pressure preparative pumps for flow rates of up to 1 000 ml/min



CHEMICAL COMPATIBILITY PUMPS

A selection of pump heads is available for customized chemical compatibility with a wide range of liquids. Different flow rate ranges and an optimized pump design enable excellent performance and high flexibility for demanding low, medium, and high pressure dosing tasks. Pump heads can be exchanged quickly to adapt easily to changing applications.



MIXER



STATIC MIXER

The static mixer consists of individual mixing elements stacked in series. These elements divide and recombine the eluent, so that the the stream exiting the static mixer is homogeneous.

Specifications	
Mixing volume (µl)	50, 100, 200, 250, 1500
Pressure rating (bar)	400, 1000
Pressure rating (psi)	5802, 14504
Wetted material	SST, PEEK
Power supply (V)	110-220, 115, 250
Capillary connections (inch)	1/16", 1/8"

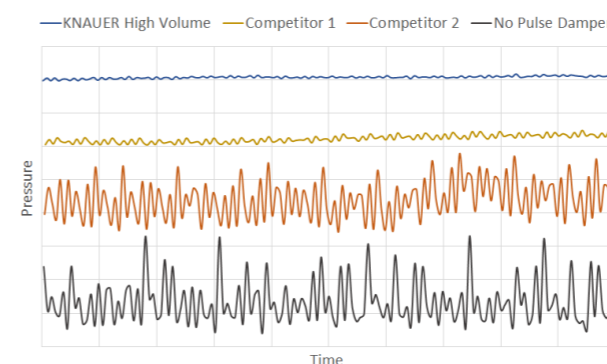
DYNAMIC MIXER

The dynamic mixing chamber contains a magnetic stirrer to ensure optimal homogenization of the eluents at high flow rates. The design is based on stackable mixing segments, which allows convenient adaptation of the mixing volume.

Specifications	
Mixing volume (µl)	1740, 5900
Pressure rating (bar)	250, 420
Pressure rating (psi)	3626, 6092
Wetted material	Titanium, PTFE, SST, PEEK
Power supply (V)	110-220, 115, 250
Dimension (mm)	80x100x120 (WxHxD)
Capillary connections (inch)	1/16", 1/8"

PULSE DAMPER

For some applications, residual pulsation from the system pump can negatively affect the performance and reproducibility. KNAUER offers pulse dampers in both high and low volume versions for optimal system performance.



Parameters	High volume	Low volume
Damping mechanism	Membrane-free	Membrane-free
Inlet/outlet ports	UNF 10-32, 1/16"	UNF 10-32, 1/16"
Max. operating temperature (°C)	120°C	120°C
Max. pressure (bar)	1 000	1 000
Wetted material	Stainless steel 316L, PTFE, PEEK	Stainless steel 316L, PTFE, PEEK
Dimensions (height, diameter)	105 mm, 32 mm	70 mm, 32 mm
Internal volume	290 µl (ambient pressure) 650 µl (600 bar/8700 psi)	275 µl (ambient pressure) 450 µl (600 bar/8700 psi)

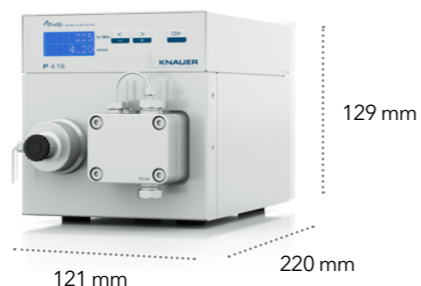


CONFIGURE YOUR PUMP

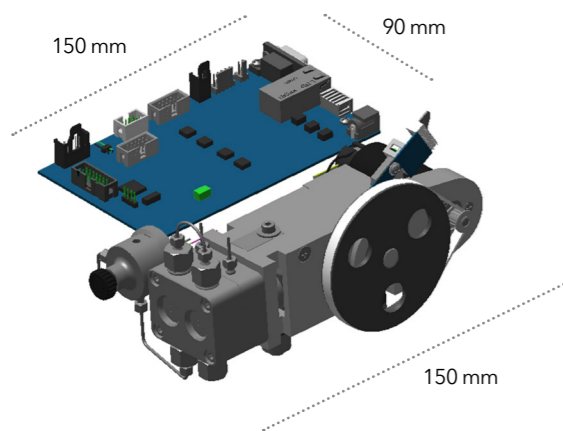
From complete pump modules to kits with different levels of integration

COMPACT HIGH PRESSURE PUMP

For LC and dosing applications

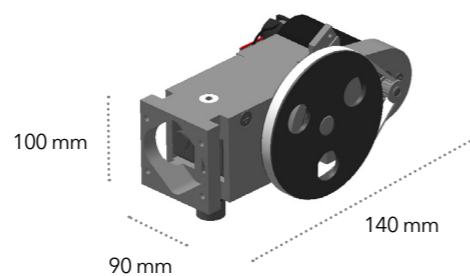


- Configurable with or without pressure sensor
- Stand-alone and integrated versions available
- Available with or without keypad



Pump kit with horizontal main board

(vertically in original configuration)

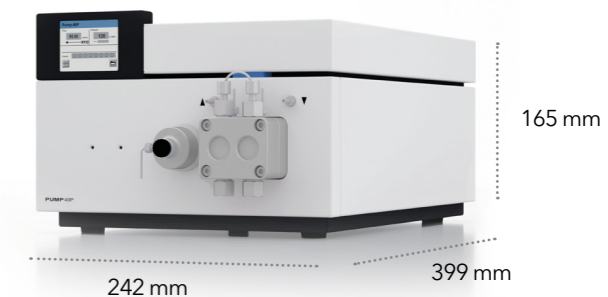


Pump drive

The dimensions of this drive are the same in all analytical versions.

HIGH PRESSURE DOSING PUMP

Analytical OEM version



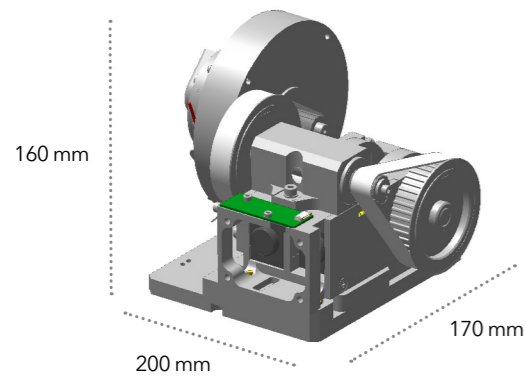
HIGH PRESSURE DOSING PUMP

Preparative OEM version

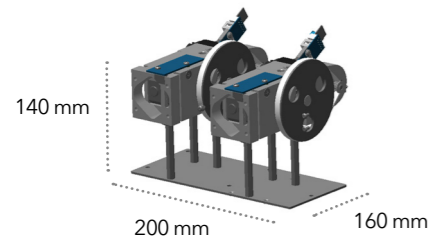
HIGH PRESSURE ANALYTICAL AND PREPARATIVE PUMP

L-size housing

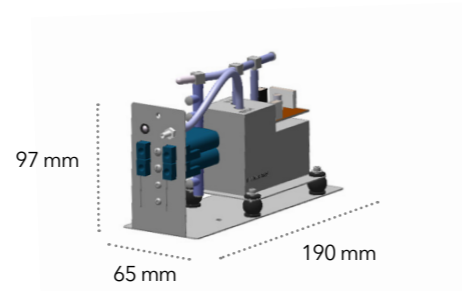




Preparative pump drive
Available in BlueShadow 80P and AZURA® P 2.1L

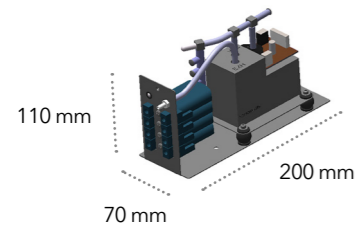
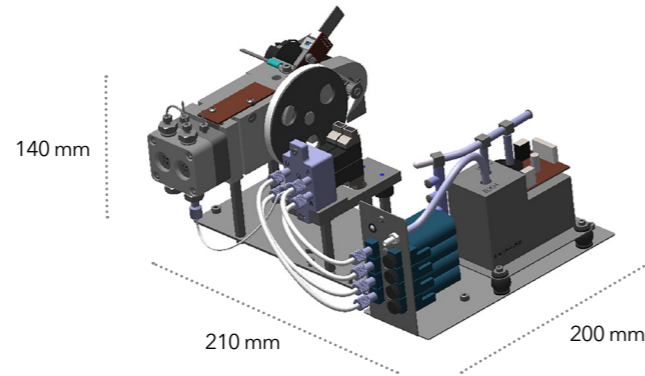


Double pump drives (binary pump)

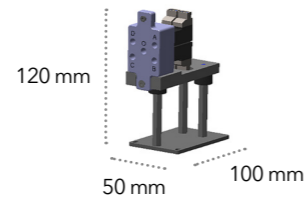


2-channel degasser unit (available in binary pump)

Complete pump kit
excluding electronics (quaternary pump)



4-channel degasser unit (quaternary pump)




LPG valve unit (quaternary pump)

PUMP CONFIGURATOR

SCALE	MATERIAL	MODE	MAX. FLOW RATE (ml/min)
<input type="checkbox"/> Analytical <input type="checkbox"/> Semi preparative <input type="checkbox"/> Preparative	<input type="checkbox"/> Stainless steel <input type="checkbox"/> Metal free	<input type="checkbox"/> Isocratic <input type="checkbox"/> Binary <input type="checkbox"/> Quaternary	<input type="checkbox"/> 5 <input type="checkbox"/> 10 <input type="checkbox"/> 50 <input type="checkbox"/> 100 <input type="checkbox"/> 250 <input type="checkbox"/> 500 <input type="checkbox"/> 1000
INTEGRATED IN SYSTEM	MIXER TYPE	FIRMWARE	MIXER VOLUME (µl)
<input type="checkbox"/> Yes <input type="checkbox"/> No	<input type="checkbox"/> Static <input type="checkbox"/> Dynamic	<input type="checkbox"/> KNAUER Original <input type="checkbox"/> Customized	<input type="checkbox"/> 50 <input type="checkbox"/> 100 <input type="checkbox"/> 200 <input type="checkbox"/> 250 <input type="checkbox"/> 1740 <input type="checkbox"/> 5900

TYPE OF REQUIRED CERTIFICATE

 KNAUER supports OEM kits with technical documentation for different types of certifications such as CE and CSA/UL.





DEFINE YOUR DETECTION TECHNOLOGY

KNAUER offers a variety of detector kits for different requirements: From single wavelength to DAD technology, UV/VIS and refractive index detection.



YOUR DETECTOR

Our core competence are UV-Vis and refractive index detectors. You, as our partner, get the flexibility to choose among single/multivariable wavelength and diode array detectors (which is

based on a highly sophisticated polychromator technology along with a polka dot beam splitter) to make a smart decision for your project's budget, space, and performance needs.

FLOW CELL

KNAUER offers a wide range of flow cells for almost every task from Nano-LC over (U)HPLC to preparative HPLC with optional fiber optic connections in different lengths which gives the

possibility to separate the flow cell from the detector to provide more security for hazardous, explosion proof or toxic work processes.

Different connections



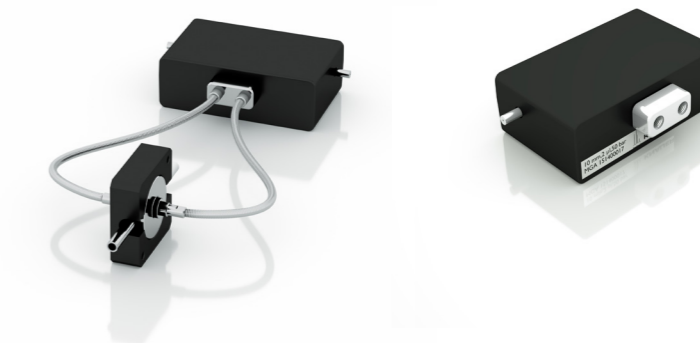
Different materials



Different versions



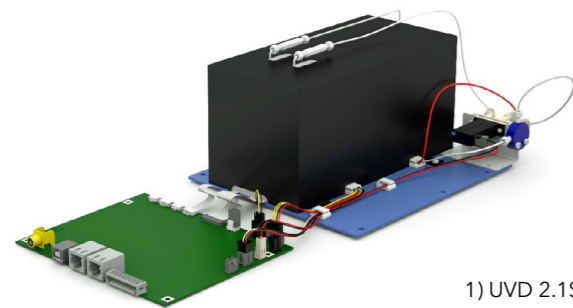
Different technologies



SPECIFICATIONS

UV-Vis/Diod Array Detector	
Light source	Deuterium lamp, High brightness deuterium lamp, halogen lamp All light sources hold an integrated GLP chip
Wavelength range (nm)	190-500 (1), 190-700 (2), 190-750 (4,5), 190-750/900 (depends on one or two lamp version) (3), 190-1000 (6)
Linearity	>2.0 AU@270 nm (1,2), >2.2 AU @270 nm (3), >2.0 AU @274 nm (4,5), >2.5 AU @274 nm (6)
Biocompatible version	all
Control	LAN, RS-232, Analog, Stand-alone, Mobile control
Supported by	OpenLab® EZChrom, ClarityChrom®, PurityChrom®, Chromeleon®
KNAUER Service tool	Available for all products
Operation temperature (°C)	4-40
Required ventilation power*	0.5W, 40x40 (x1)(1), 1W, 60x60(x1) (2,3), 1.9W, 60x60(x1)(4,5,6)
Supplements	User & Service manuals, Service notes, Service SOPs & videos, Device & Service communication protocol

Refractive Index Detectors (Analytical/Preparative)	
Light source	Long-life LED
Linearity (µRIU)	>1000 (analytical) / >4000 (preparative)
Flow cell volume (µl)	15 (analytical) / 9 (preparative)
Max. flow rate (ml/min)	10 (analytical) / 100 (preparative)
Control	LAN, RS-232, Analog, Stand-alone, Mobile control
Supported by	OpenLab® EZChrom, ClarityChrom®, PurityChrom®, Chromeleon®
KNAUER Service tool	Available for all products
Operation temperature (°C)	4-40
Supplements	User & Service manuals, Service notes, Service SOPs & videos, Device & Service communication protocol



AZURA® RID 2.1L OEM Kit
Designed for OEM integration and business

1) UVD 2.1S/10D Variable single WL 2) UVD2.1L/40D Variable single WL
3) 50D Variable multi WL 4) MWD 2.1L Variable multi WL 5) DAD 2.1L Diode array (265 diodes) 6) DAD 6.1L Diode array (1024 diodes)
* Ventilator is described with frame size (mm) and required quantity for KNAUER original modules.

FLOW CELLS

Fiber optics version
 Stainless steel
 Biocompatible (PEEK or Titanium / quartz (SUPRASIL) / PTFE)

Art. No.	Path length	Volume (µl)	Back pressure (bar)	Material	Max. flow rate (ml/min)
A4069	0.5	3	200	Stainless steel	250
A4095	0.5	3	100	Biocompatible	250
A4044HT	3	2	300	Stainless steel	50
A4045	3	2	30	Biocompatible	50
A4042	3	2	300	Stainless steel	50
A4061XB	10	10	300	Stainless steel	20
A4061V2	10	10	300	Stainless steel	20
AMB18	3	2	300	Biocompatible	100
AMC19XA	10	2	50	Stainless steel	5
AMC38	10	10	300	Biocompatible	20
AMD59XA	50	6	50	Stainless steel	5
A4044	3	2	300	Stainless steel	50
A4089	0.5	3	200	Stainless steel	250
A4096	0.5	3	100	Biocompatible	250
A4047	3	2	30	Biocompatible	50
A4074	10	10	300	Stainless steel	20
A4066	0.5-1.25-2	1.7-4.3-6.8	200	Stainless steel	1000
A4067	0.5-1.25-2	1.7-4.3-6.8	100	Biocompatible	1000
A4078	0.5-1.25-2	1.7-4.3-6.8	200	Stainless steel	1000
A4079	0.5-1.25-2	1.7-4.3-6.8	100	Biocompatible	1000
A4081	0.5-1.25-2	1.7-4.3-6.8	200	Stainless steel	10000
A4068	0.5-1.25-2	1.7-4.3-6.8	200	Stainless steel	10000
A4068-2	0.5-1.25-2	1.7-4.3-6.8	200	Stainless steel	10000
A4152	0.5-1.25-2	-	80	Stainless steel	>10000
A4152-1	7	-	10	Biocompatible	>10000
A4154	0.5-1.25-2	-	80	Stainless steel	>10000
A4154-1	10	-	10	Stainless steel	>10000
A4155	0.5-1.25-2	-	80	Biocompatible	>10000
A4153	0.5-1.25-2	-	80	Stainless steel	>10000

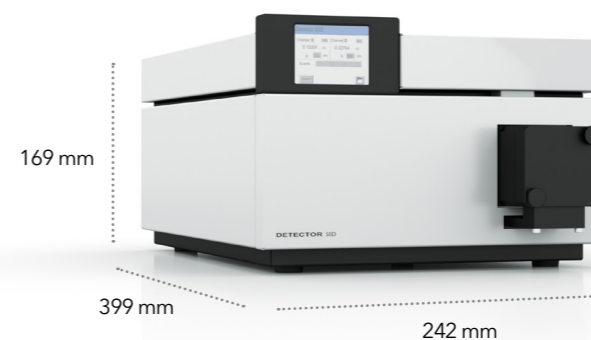
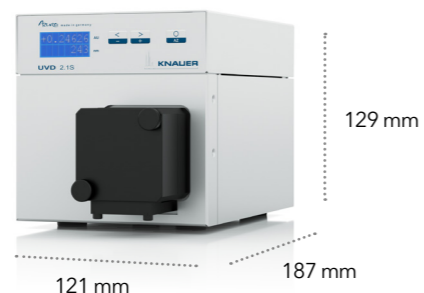


CONFIGURE YOUR DETECTOR

From single wavelength to multi-wavelength to DAD

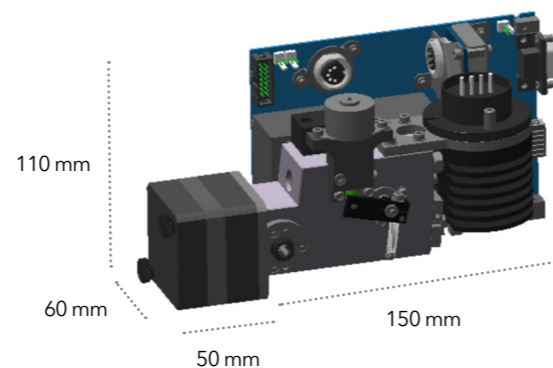
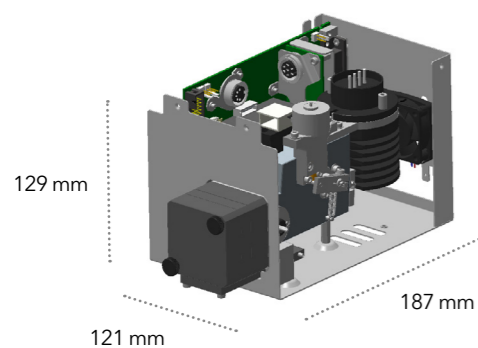
COMPACT VARIABLE SINGLE WAVELENGTH DETECTORS

Normal and fiber optic, stand-alone and integrated versions available



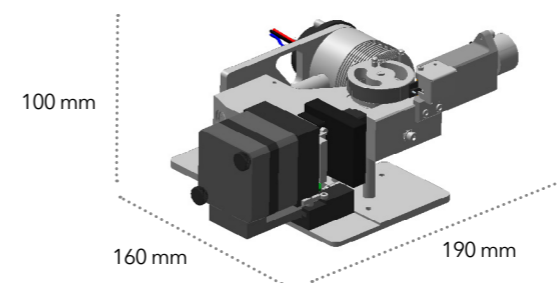
UV-VIS SINGLE/MULTI WAVELENGTH DETECTOR

Normal and fiber optic, stand-alone and integrated versions available



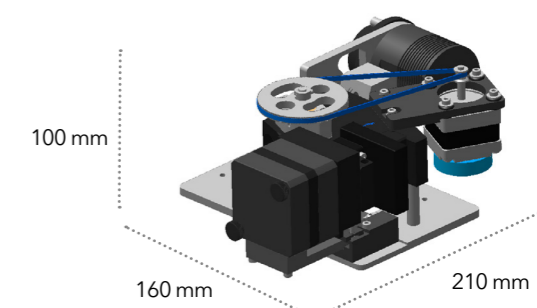
Kits integrable in a system

The mainboard can also be configured in horizontal position.



Single wavelength detector kit

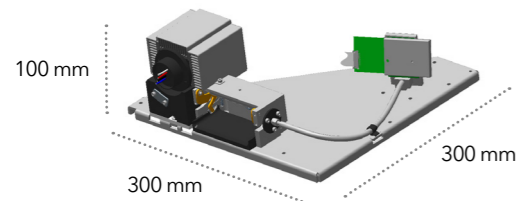
Excluding electronics



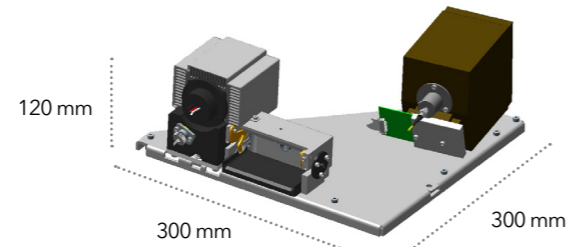
Multi wavelength detector kit

Excluding electronics

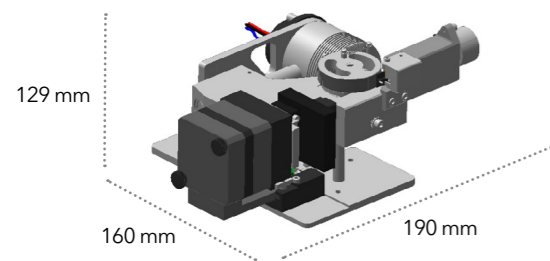
HIGH-END LC DETECTORS
L-size housing



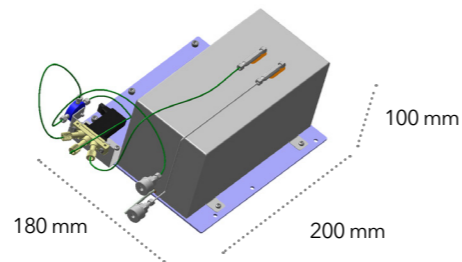
DAD/MWD 2.1L kit
w/o electronics



DAD 6.1L kit
w/o electronics



UVD 2.1L kit
w/o electronics



RID 2.1L kit
w/o electronics

DETECTOR CONFIGURATOR

TYPE	FLOW CELL MATERIAL	FIRMWARE	FLOW CELL TYPE
<input type="checkbox"/> UV/Vis single WL <input type="checkbox"/> UV/Vis multi WL <input type="checkbox"/> Diode array detector <input type="checkbox"/> Refractive index detector	<input type="checkbox"/> Stainless steel <input type="checkbox"/> Metal free	<input type="checkbox"/> KNAUER Original <input type="checkbox"/> Customized	<input type="checkbox"/> Normal <input type="checkbox"/> Fiber optic <input type="checkbox"/> Analytical <input type="checkbox"/> Preparative
INTEGRATED IN SYSTEM			
<input type="checkbox"/> Yes <input type="checkbox"/> No			

TYPE OF REQUIRED CERTIFICATE



KNAUER supports OEM kits with technical documentation for different types of certifications such as CE and CSA/UL.





DEFINE YOUR SWITCHING SOLUTION

Valves & valve drive for multiple applications

KNAUER valves are designed for a wide range of chromatographic and dosing applications. Flexibility is provided by choice of different materials and sizes as well as drivers for various software packages. Valves are driven either manually or automatically through an electric valve drive.

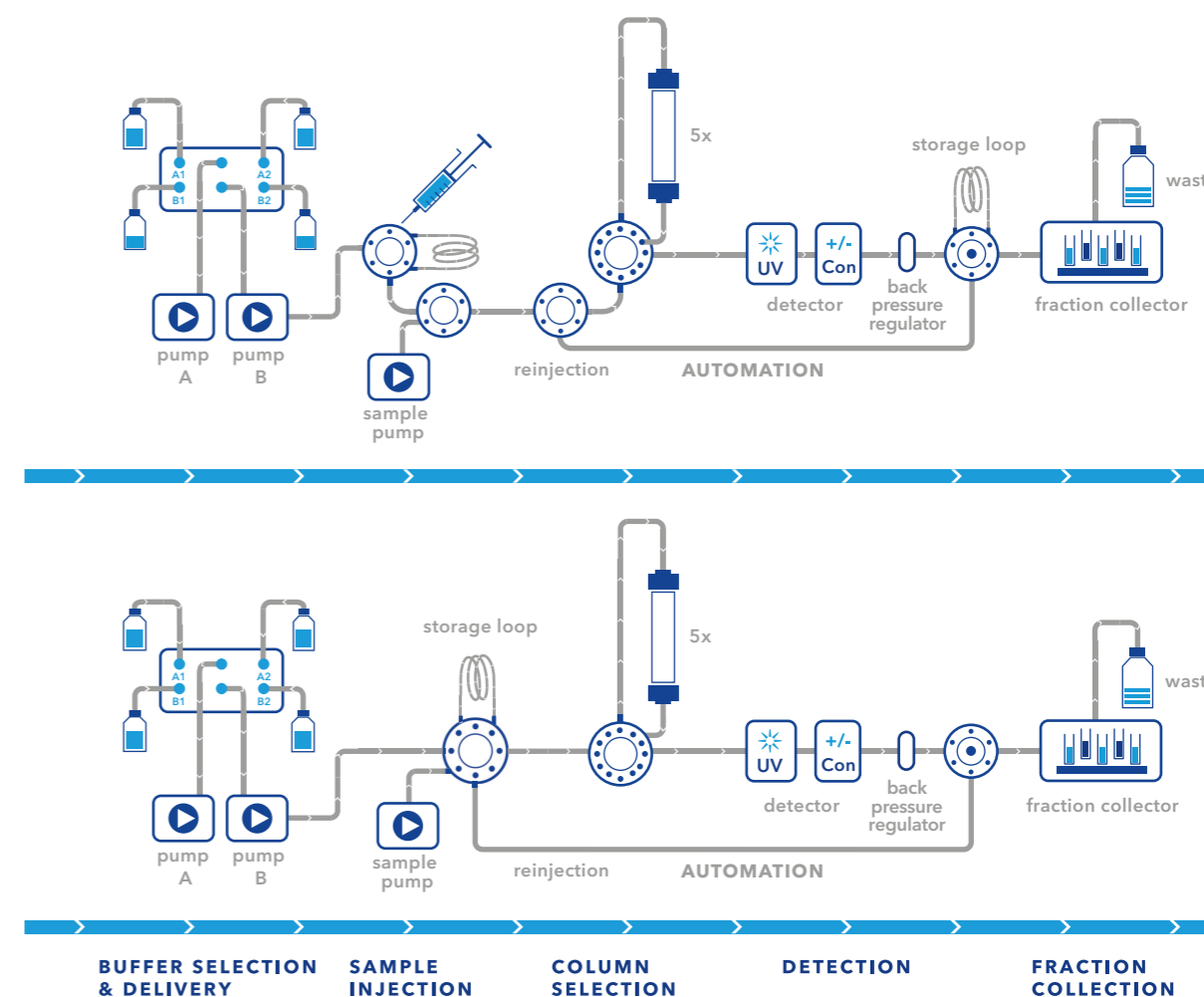


Since KNAUER controls the entire production chain from development to production, valves can also be produced to meet the customized specification. The Valve Unifier is a smart valve drive with various control options (LAN, USB, analog, CAN and RS-232) and RFID technology

which features automatic valve head recognition and adjusts torque and switching speed specifically for each valve head. Therefore, only one valve drive is needed regardless of the valve head design from analytical to preparative scale and this makes your logistics very cost-effective.

SPECIFICATIONS

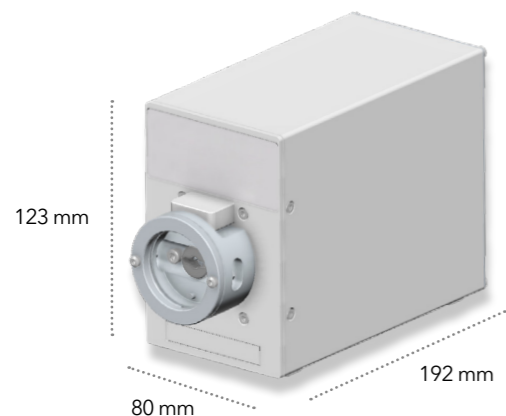
KNAUER Valves	
Valve scale	Analytical, Preparative
Valve function	Injection, column selection, fraction collection, other switching tasks
Max pressure (bar)	25
Max pressure (psi)	363- 17405
Bore size (mm)	0.3- 2.0
Capillary connection (inch)	1/16"
Stator material	Stainless steel, Stainless steel DLC, PEEK
Rotor material	Vespel, PEEK, PPS, POM



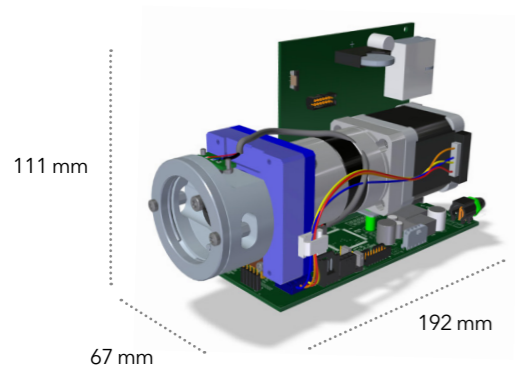


CONFIGURE YOUR VALVE DRIVE

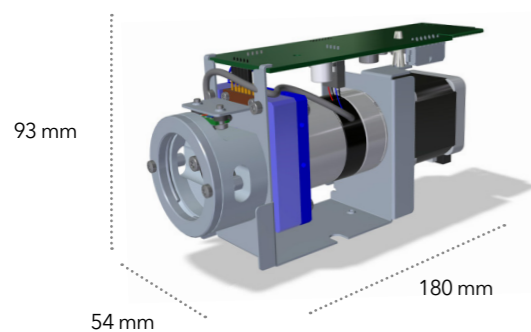
The compact design of the valve drive makes it flexible and easy for system integration



Valve drive w/o display & keypad



Valve drive with motor circuit and interface boards



Valve drive with motor circuit board

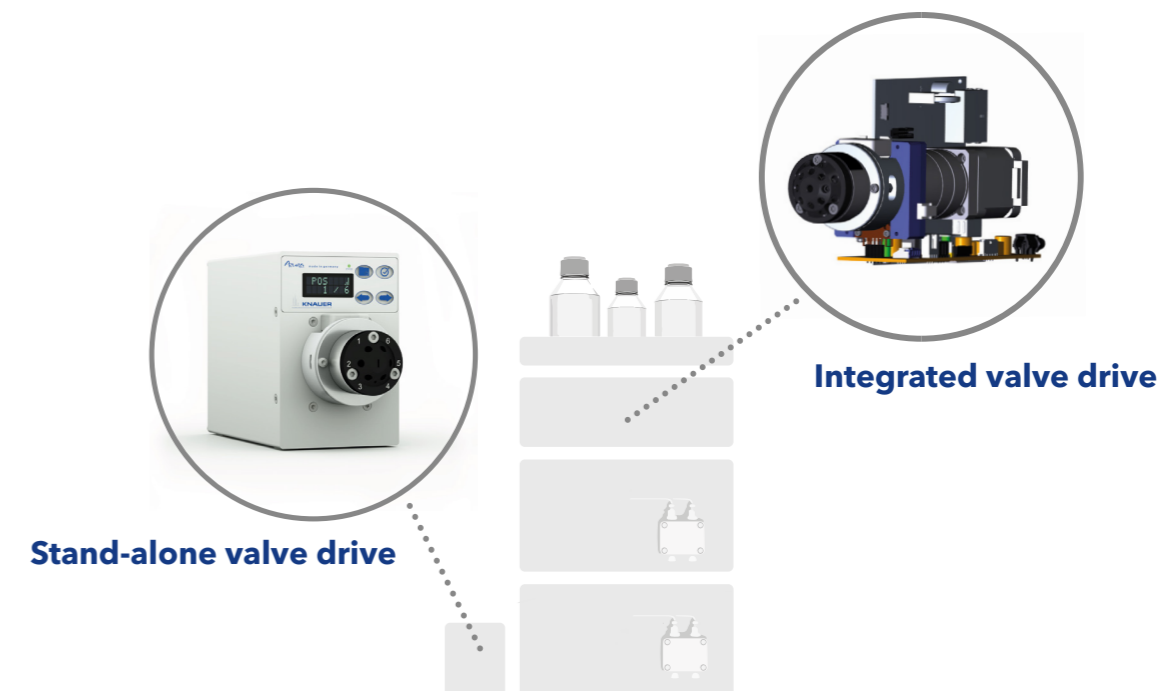
VALVE CONFIGURATOR

TYPE	FUNCTION	STATOR MATERIAL	ROTOR MATERIAL
<input type="checkbox"/> Manual <input type="checkbox"/> Automated	<input type="checkbox"/> Column selection <input type="checkbox"/> Injection <input type="checkbox"/> Fraction collection	<input type="checkbox"/> Stainless steel <input type="checkbox"/> Stainless steel DLC <input type="checkbox"/> PEEK	<input type="checkbox"/> Vespel <input type="checkbox"/> PEEK <input type="checkbox"/> PTFE <input type="checkbox"/> PPS-HPV <input type="checkbox"/> POM-H-TF
MAX. PRESSURE (bar / psi)		CAPILLARY CONNECTION (inch)	
<input type="checkbox"/> 25 / 363 <input type="checkbox"/> 50 / 725 <input type="checkbox"/> 150 / 2176 <input type="checkbox"/> 200 / 2900	<input type="checkbox"/> 240 / 3480 <input type="checkbox"/> 300 / 4350 <input type="checkbox"/> 400 / 5802 <input type="checkbox"/> 1200 / 17405	<input type="checkbox"/> 1/16" <input type="checkbox"/> 1/8" <input type="checkbox"/> 1/4"	

TYPE OF REQUIRED CERTIFICATE



KNAUER supports OEM kits with technical documentation for different types of certifications such as CE and CSA/UL.





CHOOSE YOUR SOFTWARE DRIVERS

Multiple software drivers and established service software

Due to our modular OEM platform, KNAUER offers you driver for various chromatography data systems. In case that you would like to use your own software application, KNAUER will provide you with all necessary communication protocols.

- Mobile Control (Chrom)
- OpenLAB® CDS EZChrom Edition
- ClarityChrom® CDS
- PurityChrom®
- Chromeleon™ 7.2 Drivers

For selected devices we offer support for even more CDS in the market such as ...

- PrepCon
- Chromstar 7
- HyStar

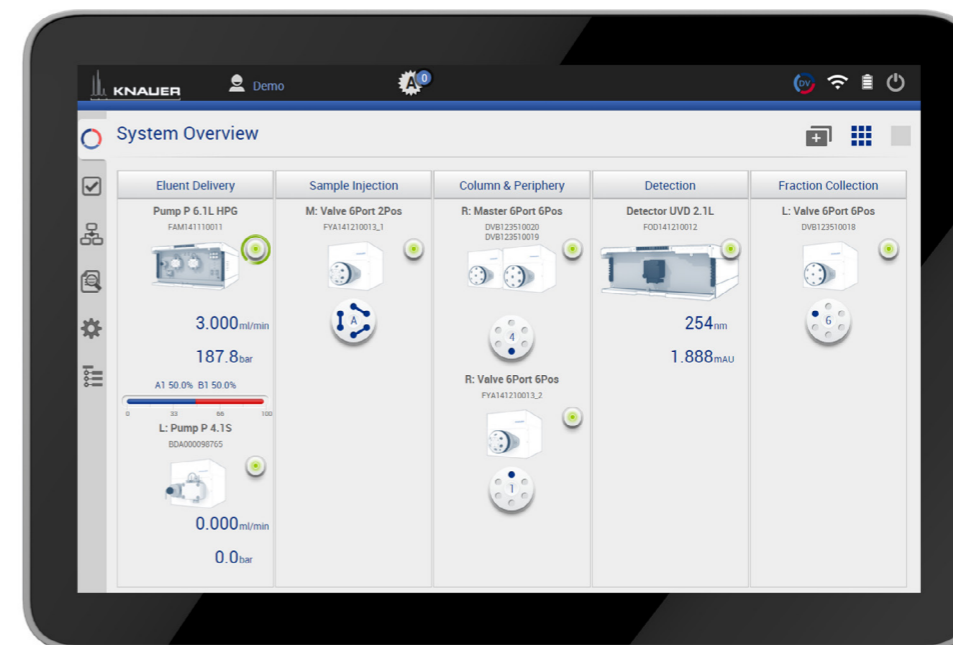
To provide the most useful tools for your daily work, our team of software engineers combines its expertise in developing firmware, instrument control drivers, as well as application software.

- KNAUER Service Tool
Available for a wide range of OEM products for different reasons like monitoring, adjusting, calibrating, diagnostic and software upgrade



MOBILE CONTROL

Intuitive software for tablets, laptops and desktop PCs



Mobile Control is the right solution for you if you need a basic, easy to use and cost-effective software for your LC system OR you would like to control your devices without doing LC.

Only pay for what you use

Mobile Control features basic functions to operate AZURA devices and systems. Mobile Control can operate dedicated applications which do not require a highly developed and cost-intensive Chromatographic Data System (CDS).

Customized software design

Mobile Control is made by KNAUER and can be adapted to the requirements of our OEM partners.

Save time

Mobile Control convinces due to an intuitive user interface and a clearly structured menu function. The training period is minimal in comparison to a complex CDS. Especially users with little experience in LC will easily get familiar with the software.

Save space

Mobile Control runs on a tablet. Especially in labs with little space avoiding a desktop PC with keyboard and monitor can be a decisive factor. The touch-optimized user interface allows device control using just your fingers.



Find detailed information:
www.knauer.net/mobilecontrol



DESIGN YOUR PRODUCT

Would you like to have your own exterior design which fits your other products and company pattern? We provide all the required CAD files and work on them together with you to achieve the best solution.



YOUR INDIVIDUAL BRANDING

Design your own front cover and present your own unique system. Most of our OEM partners are interested in a front cover that is

- lightweight
- neutral
- printable and color customizable with logos and scripts

PRODUCT DESIGN CONFIGURATOR

Start designing your OEM system with our configurator

HOUSING

- KNAUER Original
- Customized
- As kit

FRONTING

- KNAUER OEM
- Customized

LABELING

- Via KNAUER
- Private Label



DESIGN EXAMPLE

Dynamic Biosensors, Germany
Protein purification system proFIRE®

OEM ACCESSORIES: CAPILLARIES

K-CONNECT CAPILLARIES

Perfectly suited for all analytical HPLC systems: K-Connect Start-Up Kits contain flexible, pre-cut stainless steel capillaries with 1/16" sleeves at the end for easy installation in several inner diameters and lengths as well as adaptors and connectors. The pre-cut capillary with ideal offered lengths, minimizes the system dead volume and eliminates errors by poorly cut ones.

ID (mm)
0.1, 0.18, 0.45
Length (mm)
150, 300, 400, 700, 900



STANDARD CAPILLARIES

Knauer can provide you the standard capillaries in stainless steel and PEEK material in different ID, OD, and lengths. Does your application require other ID & OD than available options? Do you need capillaries to be delivered in special form and packing? **Contact the KNAUER OEM team!**

Stainless steel

ID (mm)	OD
0.1, 0.25, 0.5, 0.7, 1.0	1/16"
1.6, 2.2	1/8"
4.6	1/4"

PEEK

ID (mm)	OD
0.13, 0.18, 0.25, 0.5, 0.75, 1.0, 1.4	1/16"
0.75, 1.59, 2.0	1/8"

Find detailed information in the KNAUER Product Selection Guide.
www.knauer.net



CERTIFICATIONS

QUALITY MANAGEMENT

The KNAUER quality management system according to DIN EN ISO 9001 makes sure that we continuously manufacture products in the best quality possible. As a company, we have to prove ourselves every day in a highly competitive mar-

ket. Therefore, we can only be successful if every employee contributes his share. Your satisfaction with the quality of our products and services is the key to our success.

ENVIRONMENTAL MANAGEMENT

KNAUER contributes to the conservation of a healthy environment by basing our work on an environmental management system according to DIN EN ISO 14001. Starting with the development of a new product, our designing engineers are bound to use long-lasting materials which allow low maintenance time intervals and

minimal downtime. Furthermore, a high energy efficiency and material efficiency in the production process and during the use of our products are important to us. Finally, the products should be able to be disposed of in an environmentally compatible way.





VERIFY YOUR PRODUCT

The demand for your product

Verification is an essential step to apply in order to satisfy the customer and to deliver a product that matches the industry quality standards. We check that the product we are building matches the users and business needs. The biggest challenge within a hardware and software project is to be in time, in quality and in budget. In order

to ensure the agreed quality, we coordinate all system tests, which the manufactured products must go through in our company after production, with our customers. We deliver the desired test certificates in customer design to ensure that the customer's incoming good inspections can be reduced to a minimum.



Verification in the KNAUER lab



LET'S LAUNCH TOGETHER

Your solution. Now.



Thomas Müller, Head of Production in the Mechanical Shop

Fulfilling a mission requires team work, long-term partnership and collaboration. We are proud to have business partners all over the world by integrating our technology into their business needs.

Whatever your plans are, adding your own LC system to your analysis instruments or choose from one of our state-of-the-art modules or accessories. You will find a good selection fulfilling various needs.



GET IN TOUCH

oem@knauer.net
www.knauer.net/oem



Science Together

Analytical
HPLC

Multi-Column
Chromatography,
SMB

Preparative
HPLC

FPLC

Osmometry

Dosing,
Metering,
Pumping

Detection

Technical data or prices are subject to change without notice. Prices may vary by country and do not include taxes, customs duties or delivery.

All trademarks are the property of their respective owners. Our general terms and conditions apply: www.knauer.net/terms

© KNAUER 2019/N7712US/1.0/10.19

KNAUER

Wissenschaftliche Geräte GmbH
Hegauer Weg 38
14163 Berlin, Germany

+49 30 809727-0
+49 30 8015010 (Fax)
oem@knauer.net
www.knauer.net/oem

