

Raman Accessory

BAC160 Raman Liquid Flow Cell



The BAC160 is a liquid sampling flow cell designed for inline Raman or fluorescence measurements. It is very easy to install and take apart for occasional cleaning. It is designed with reliability and repeatability for on-line process monitoring. It's 316SS construction with Kalrez® seals and fused silica windows offers an economical interface for use with a variety of chemical and biological processes.

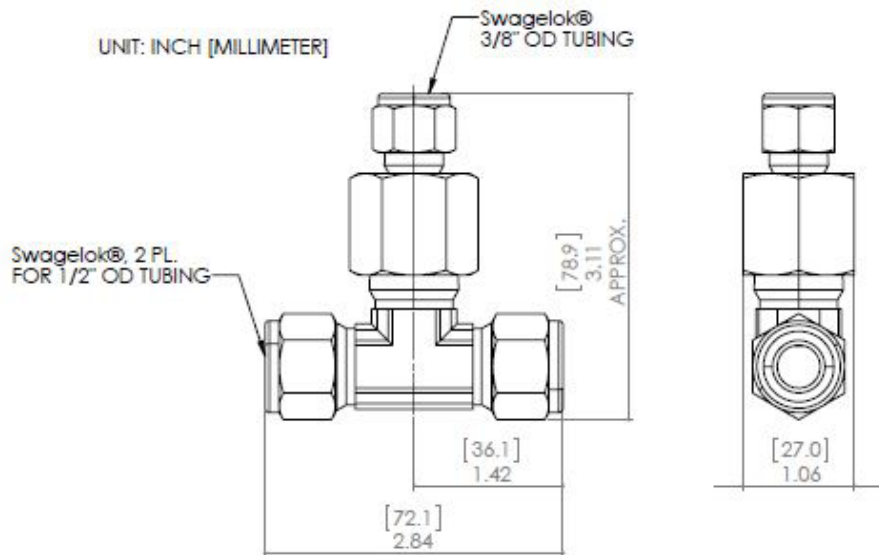
Specifications:

Cell Material	316 Stainless Steel
Fitting	Compression tube fitting
Tubing OD	1/2 in
O-ring Material	Kalrez®
Window Material	Fused Silica
Working Distance	Fixed
Max Temperature	150°C up to 150 psi
Max Pressure	150 psi up to 150°C
Weight	0.5 lbs (0.23 kg)

Features:

- High Throughput
- Easy Installation and Cleaning
- Excellent Chemical Resistance
- High Repeatability

Dimensions:



Applications:

- Liquid Process Sampling
- Raman or Fluorescence Measurements
- Lab and On-line Applications
- OEM Building Block
- On-line Optical Monitoring
- Reaction Kinetics



Flow Cell with B&W Tek Raman Probe